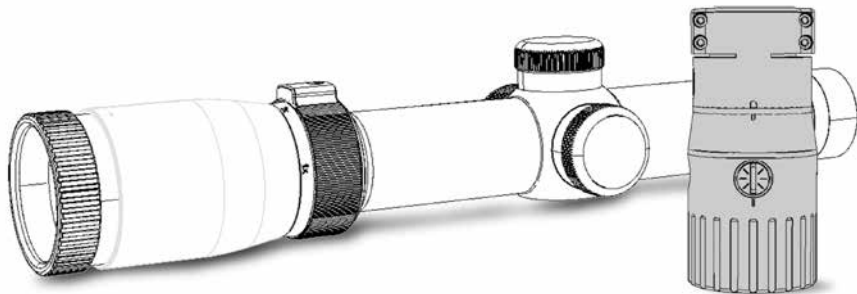




# SCOPE X<sub>2</sub>

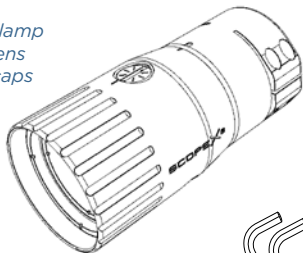
## SETUP GUIDE



Congratulations on your purchase! The ScopeX2 doubles the power of most 30mm or 1" scopes by attaching to the end of that size scope tube. Simply connect to your existing sighted-in rifle scope and zero the ScopeX2. Then just remove or replace the lens to double your magnification with no further adjustment required.

Here's what's included in the box:

*ScopeX2 clamp  
on zoom lens  
with lens caps*



*1/16" hex wrench for Adjustment Lock  
3/32" hex wrench for clamp mount*



## SCOPEX2 SPECIFICATIONS

<b>Magnification</b>	2x
<b>Objective Lens</b>	40mm
<b>Diameter</b>	45mm
<b>Tube Size</b>	30mm tube or 1-inch tube
<b>Adjustable Turrets</b>	Yes, up to +/-10 MOA
<b>Locking Turrets</b>	Yes
<b>Size</b>	3.3" x 1.7" x 1.7"
<b>Weight</b>	8.2 oz
<b>Assembly</b>	Water-, fog-, and shock-proof

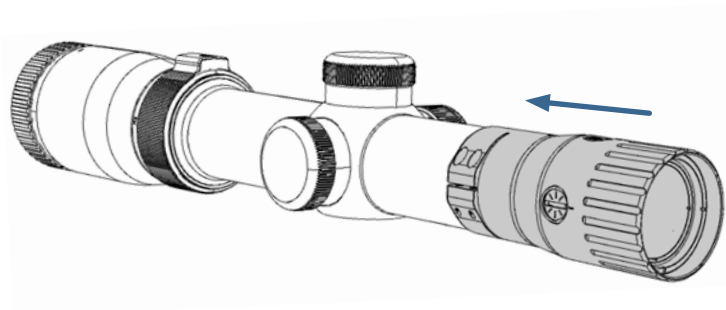
## INSTALL THE SCOPEX2 ONTO THE SCOPE

The ScopeX2 ships with fasteners loosened and prepared to install onto the scope. Remove the rear protective lens cap.

If being reinstalled, first loosen the 4 clamp mounting screws with the 3/32" hex wrench.

Slide the adapter onto the scope. The adapter should slide fully onto the scope until the adapter bottoms out onto the scope.

A Delrin adapter is included to allow attachment to one inch scopes. Insert this into the mount before installation on one inch scope tubes.

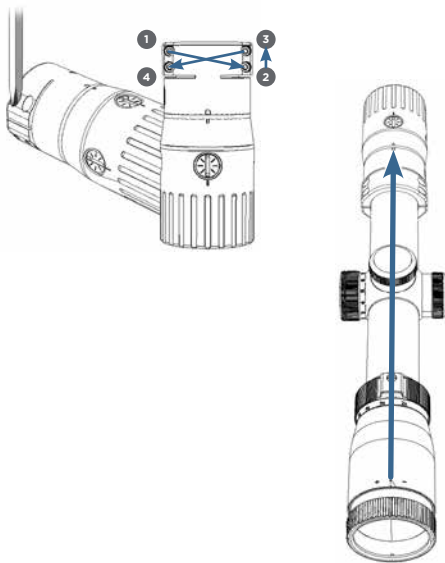


## ALIGN THE SCOPEX2 WITH YOUR RIFLESCOPE

Align the top center alignment markings of the ScopeX2 to the top and center of the scope as shown.

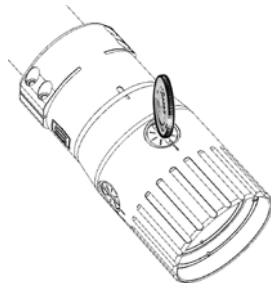
Once aligned, use the supplied 3/32" hex wrench to tighten the fasteners and secure the clamp.

Tighten the fasteners in an X-pattern evenly until fasteners are torqued to 15 in/lb and there is an even gap on each side.



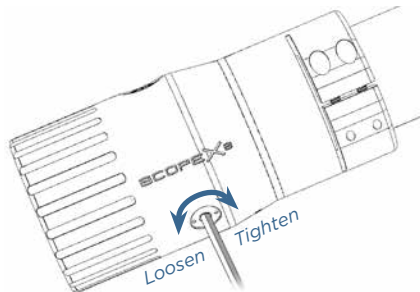
## SIGHT-IN YOUR SCOPEX2

The adjustments are designed to provide horizontal and vertical movement of the point of impact to realign your already sighted-in scope. The graduated lines on the windage and elevation screws represent approximately 4 inches (or 4 MOA) at 100 yards. The infinite adjustment possible ensures zero when sighting in. The included coin fits the adjustment slots perfectly and prevents scratches common with screwdriver use.



The ScopeX2 utilizes an Adjustment Lock to ensure no loss of zero under recoil. Before adjusting the turrets, remember to loosen this screw with the included 1/16" hex wrench, and to secure this screw when final zero is achieved. Snug this screw lightly with about 5 in/lb of pressure. Do not overtighten.

A cartridge type laser boresight may be utilized to shorten the sighting in process. Initial installation may move your riflescope's existing zero by several inches or more, and recommended distance to target is 25 yards to start.

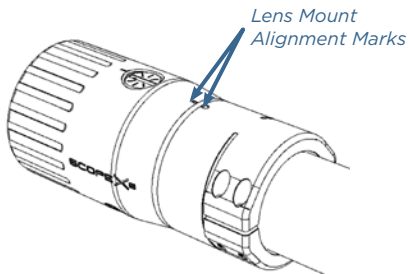
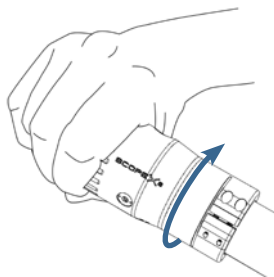


## REMOVE OR REINSTALL SCOPEX2 LENS

The ScopeX2 is a 2-piece design; a lens section and mount that are threaded. Once the lens is initially installed and boresighted, it can be removed and reinstalled by hand without change of zero. This allows the scope operator to quickly swap between the scope's native zoom, or thread on the lens for greatly increased magnification and accuracy.

Firmly grab the lens section by hand and turn counter-clockwise to unscrew and remove the lens. Place the provided lens caps on the lens when not in use.

To reinstall the lens, align it to the mount section and carefully thread the lens on by turning it clockwise onto the mount section until the alignment markers are realigned as shown.



**COPYRIGHTS AND OTHER NOTICES**

DISCLAIMER: SECTOR OPTICS RESERVES THE RIGHT TO MAKE CHANGES IN SPECIFICATIONS AT ANY TIME AND WITHOUT NOTICE. THE INFORMATION PROVIDED BY THIS DOCUMENT IS BELIEVED TO BE ACCURATE AND RELIABLE. HOWEVER, NO RESPONSIBILITY IS ASSUMED BY SECTOR OPTICS FOR ITS USE; OR FOR ANY INFRINGEMENTS OF PATENTS OR OTHER RIGHTS OF THIRD PARTIES FROM ITS USE. NO LICENSE IS GRANTED UNDER ANY PATENTS OR PATENT RIGHTS OF SECTOR OPTICS

THIS DEVICE MAY CONTAIN COMMODITIES, TECHNOLOGY OR SOFTWARE SUBJECT TO EXPORT LAWS AND REGULATIONS FROM THE US AND OTHER COUNTRIES. DIVERSION CONTRARY TO LAW IS PROHIBITED.

**FCC STATEMENT**

THIS DEVICE COMPLIES WITH PART 15 OF THE FCC RULES. OPERATION IS SUBJECT TO THE FOLLOWING TWO CONDITIONS: (1) THIS DEVICE MAY NOT CAUSE HARMFUL INTERFERENCE, AND (2) THIS DEVICE MUST ACCEPT ANY INTERFERENCE RECEIVED, INCLUDING INTERFERENCE THAT MAY CAUSE UNDESIRED OPERATION.

**WARRANTY**

SECTOR OPTICS WARRANTS THIS PRODUCT AGAINST DEFECTS IN MATERIAL/WORKMANSHIP FOR 5 YEARS FROM PURCHASE. IF THE PRODUCT IS DEFECTIVE, CONTACT SECTOR OPTICS TO OBTAIN AN RMA NUMBER AND RETURN INSTRUCTIONS. SECTOR OPTICS IS NOT RESPONSIBLE FOR WARRANTY SERVICE AS A RESULT OF MISUSE, ABUSE, NEGLIGENCE OR BY DAMAGE FROM ANY DISASTERS SUCH AS FIRE OR FLOOD. ANY SIGNS OF EXTENDED WATER SUBMERSION OR TAMPERING WILL VOID THIS WARRANTY.

