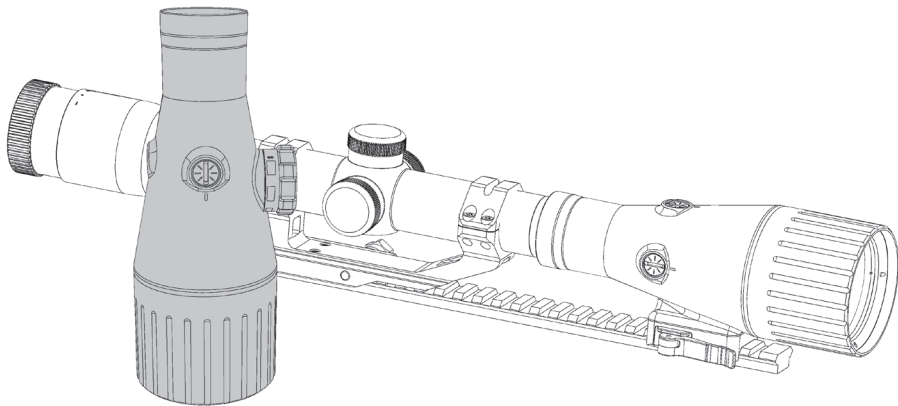




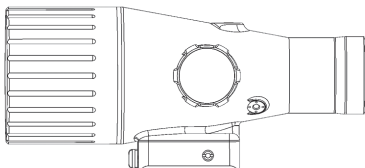
SCOPE X₄

SETUP GUIDE



Congratulations on your purchase! The **Sector Optics ScopeX4** quadruples the power of most straight tube objective scopes by attaching to a picatinny rail. Simply install in front of your existing sighted-in rifle scope, adjust the focus, and zero. Then just remove or replace to enhance your magnification with no further adjustments required.

Here's what's included:



1/16" hex wrench for Adjustment Lock
0.050" hex wrench for Rail Mount

SPECIFICATIONS

Magnification	4x
Objective Lens	54 mm
Outside Diameter	65 mm
Focus Range	20 y/m to infinity
Rail Mount	Picatinny
Rail Mount Height	1.5 in
Adjustable Turrets	Yes, up to +/-10 MOA
Locking Turrets	Yes
Size	6.13x3x2.6in / 155x75x65mm
Weight	20.5 oz / 581 g
Assembly	Water-, fog-, and shock-proof

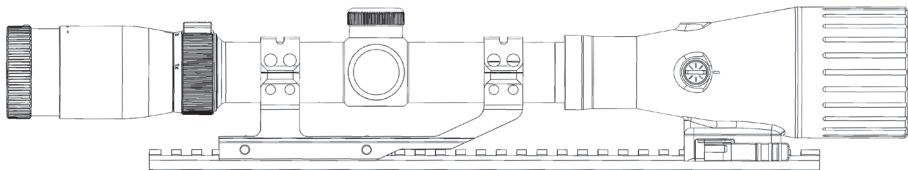
INSTALL THE SCOPEX4 ONTO THE SCOPE (RAIL MOUNT)

The rail mount secures the ScopeX4 to a picatinny Rail. The mount centers the ScopeX4 at 1.5" (38.1 mm) above the rail which should be compatible with many standard scopes.

Open the clamp on the rail mount and install onto rail as close to the objective

of your scope as possible. The rubber boot of the ScopeX4 should surround the scope.

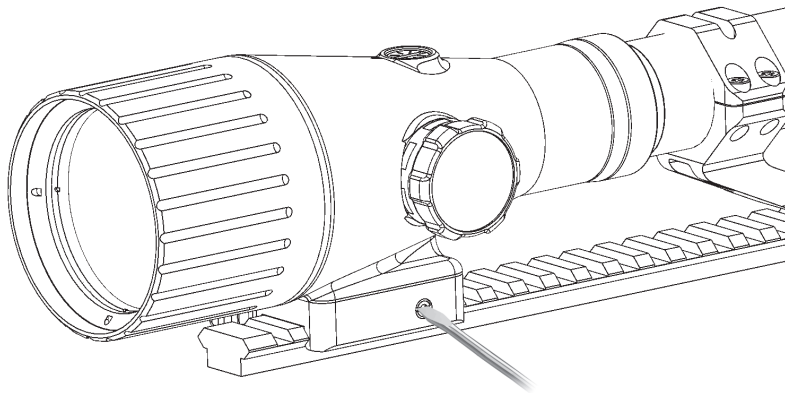
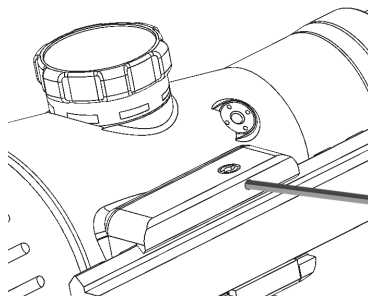
Depending on the dimensions of your picatinny rail, it may be necessary to adjust the clamp tension on the rail. See page 4 for instructions.



ADJUSTING RAIL MOUNT TENSION

To adjust rail mount tension:

1. Loosen small set screw on bottom of mount using 0.050" hex key
2. Adjust slotted screw until desired clamp tension is achieved
3. Tighten set screw

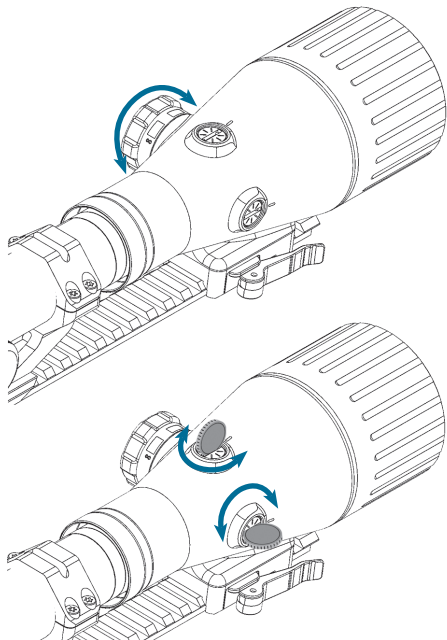


SIGHT IN YOUR SCOPEX4

Turn the ScopeX4 focus knob while looking at the target to be used for boresighting and adjust the focus until the target is clear.

The ScopeX4's adjustments are designed to provide horizontal and vertical movement of the point of impact to realign your already sighted-in scope. The graduation lines on the windage and elevation screws represent approximately 4 inches (or 4 MOA) at 100 yards.

The included coin fits in the adjustment slots perfectly and prevents common screwdriver scratches.



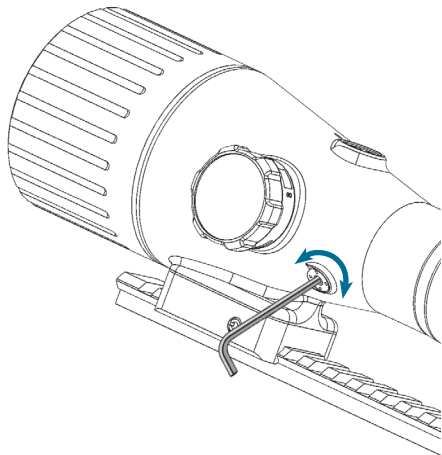
SCOPEX4 ADJUSTMENT LOCK

The ScopeX4 utilizes an adjustment lock to ensure no loss of zero under recoil.

Before adjusting the turrets, remember to loosen this screw with the included 1/16" hex wrench, and to secure this screw when final zero is achieved

Snug this screw lightly with about 5 in/lb of pressure. Do not overtighten.

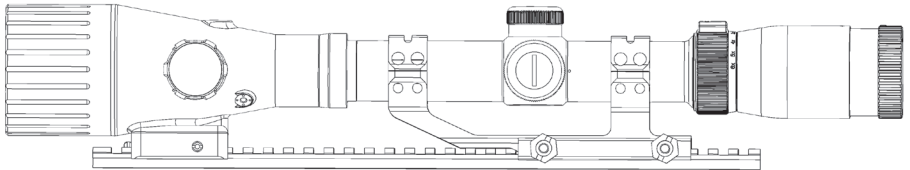
A cartridge type laser boresight may be utilized to shorten the sighting in process. Initial installation of the ScopeX4 may move your riflescope's existing zero by several inches or more, and recommended distance to target is 25 yards to start.



REMOVE OR REINSTALL SCOPEX4 LENS

Once the ScopeX4 is aligned and zeroed to the rifle scope, it can be removed and reinstalled using the rail mount. If reinstalled to the same location, the

precision of the mount and the rail will correctly align and return back to zero without any further adjustment.



COPYRIGHTS AND OTHER NOTICES

DISCLAIMER: SECTOR OPTICS RESERVES THE RIGHT TO MAKE CHANGES IN SPECIFICATIONS AT ANY TIME AND WITHOUT NOTICE. THE INFORMATION PROVIDED BY THIS DOCUMENT IS BELIEVED TO BE ACCURATE AND RELIABLE. HOWEVER, NO RESPONSIBILITY IS ASSUMED BY SECTOR OPTICS FOR ITS USE; OR FOR ANY INFRINGEMENTS OF PATENTS OR OTHER RIGHTS OF THIRD PARTIES FROM ITS USE. NO LICENSE IS GRANTED UNDER ANY PATENTS OR PATENT RIGHTS OF SECTOR OPTICS

THIS DEVICE MAY CONTAIN COMMODITIES, TECHNOLOGY OR SOFTWARE SUBJECT TO EXPORT LAWS AND REGULATIONS FROM THE US AND OTHER COUNTRIES. DIVERSION CONTRARY TO LAW IS PROHIBITED.

FCC STATEMENT

THIS DEVICE COMPLIES WITH PART 15 OF THE FCC RULES. OPERATION IS SUBJECT TO THE FOLLOWING TWO CONDITIONS: (1) THIS DEVICE MAY NOT CAUSE HARMFUL INTERFERENCE, AND (2) THIS DEVICE MUST ACCEPT ANY INTERFERENCE RECEIVED, INCLUDING INTERFERENCE THAT MAY CAUSE UNDESIRABLE OPERATION.

WARRANTY

SECTOR OPTICS WARRANTS THIS PRODUCT AGAINST DEFECTS IN MATERIAL/WORKMANSHIP FOR 5 YEARS FROM PURCHASE. IF THE PRODUCT IS DEFECTIVE, CONTACT SECTOR OPTICS TO OBTAIN AN RMA NUMBER AND RETURN INSTRUCTIONS. SECTOR OPTICS IS NOT RESPONSIBLE FOR WARRANTY SERVICE AS A RESULT OF MISUSE, ABUSE, NEGLIGENCE OR BY DAMAGE FROM ANY DISASTERS SUCH AS FIRE OR FLOOD. ANY SIGNS OF EXTENDED WATER SUBMERSION OR TAMPERING WILL VOID THIS WARRANTY.

